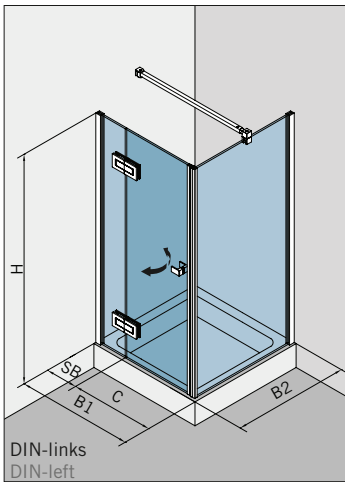


Typ(e) 230P



Art.-Nr. Art. No.	Bezeichnung	Description
70.182 2 (St. pce)	Band Glas/Glas 180°	Hinge glass/glass 180°
74.127 2 (St. pce)	Klemmprofil	Clamp profile
75.034 2 (St. pce)	Abdeckkappe für Klemmprofil 74.127	Cover cap for clamp profile 74.127
74.017 1 (St. pce)	Wasserabweiser, für 8 mm Glas	Water disperser, for 8 mm glass
74.051 1 (St. pce)	Magnetdichtung 90° für Pendeltüren, für 8 mm Glas	Magnetic seal 90° for double-action doors, for 8 mm glass
74.025 1 (St. pce)	Schlauchdichtung, für 8 mm Glas	Soft nose seal, for 8 mm glass
70.187 1 (St. pce)	Türgriff, für 8 mm Glas	Door handle, for 8 mm glass
75.052 1 (St. pce)	Haltestange Glas/Wand (eckig)	Support bar glass/wall (rectangular)

Details

